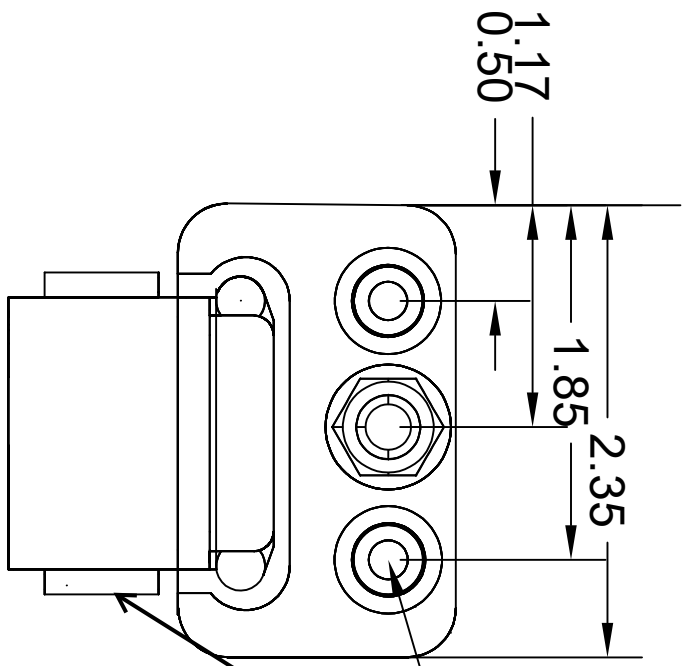
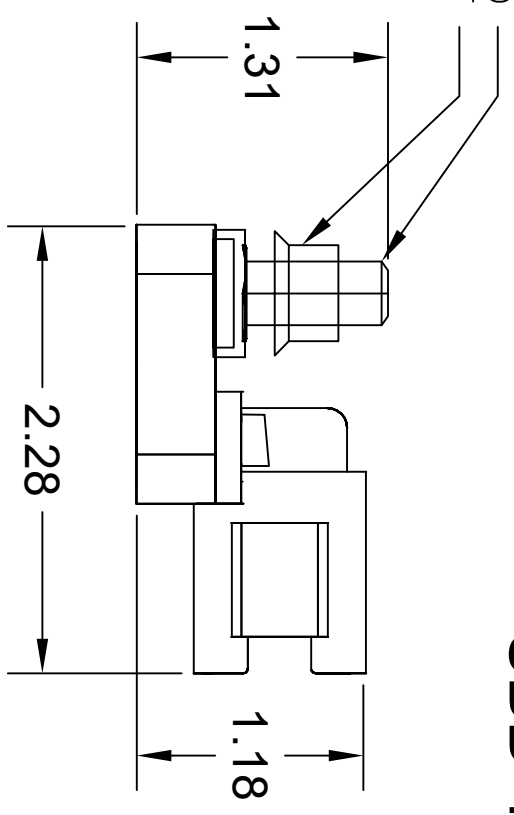


DESCRIPTION	REVISIONS	DATE
Release		12 MAR 2015

5/16-18 x 1" SS STUD  
5/16-18 SERATED FLANGE NUT

**SBB-12B**



DTF13-12-PB

MOUNTING HOLE FOR #10 PAN HEAD



WWW.SEALEDBUSSBAR.COM  
The best protection for your electrical connections

THIS DRAWING IS THE PROPERTY OF SORENSON LIGHTED CONTROLS, INC. A FLORIDA CORPORATION. ALL RIGHTS RESERVED. THIS DRAWING AND INFORMATION CONTAINED HEREIN MAY NOT BE COPIED OR DISCLOSED TO OTHERS WITHOUT THE WRITTEN PERMISSION OF SORENSON LIGHTED CONTROLS, INC.

RATINGS: 150A @ 48V DC, 13A PER CONTACT  
STUD: 1 @ 5/16-18 STAINLESS STEEL  
CONNECTOR: SEALED TO IP67  
IGNITION PROTECTED: SAE J1471  
DEUTSCH MATING CONNECTOR: DT06-12SB  
AMPHENOL MATING CONNECTOR: AT06-12SB  
MOLEX MATING CONNECTOR: 93445-6221  
BUS MATERIAL: C1100 ELECTROLYTIC COPPER  
BASE: REPTU - INJECTION MOLDED - BLACK