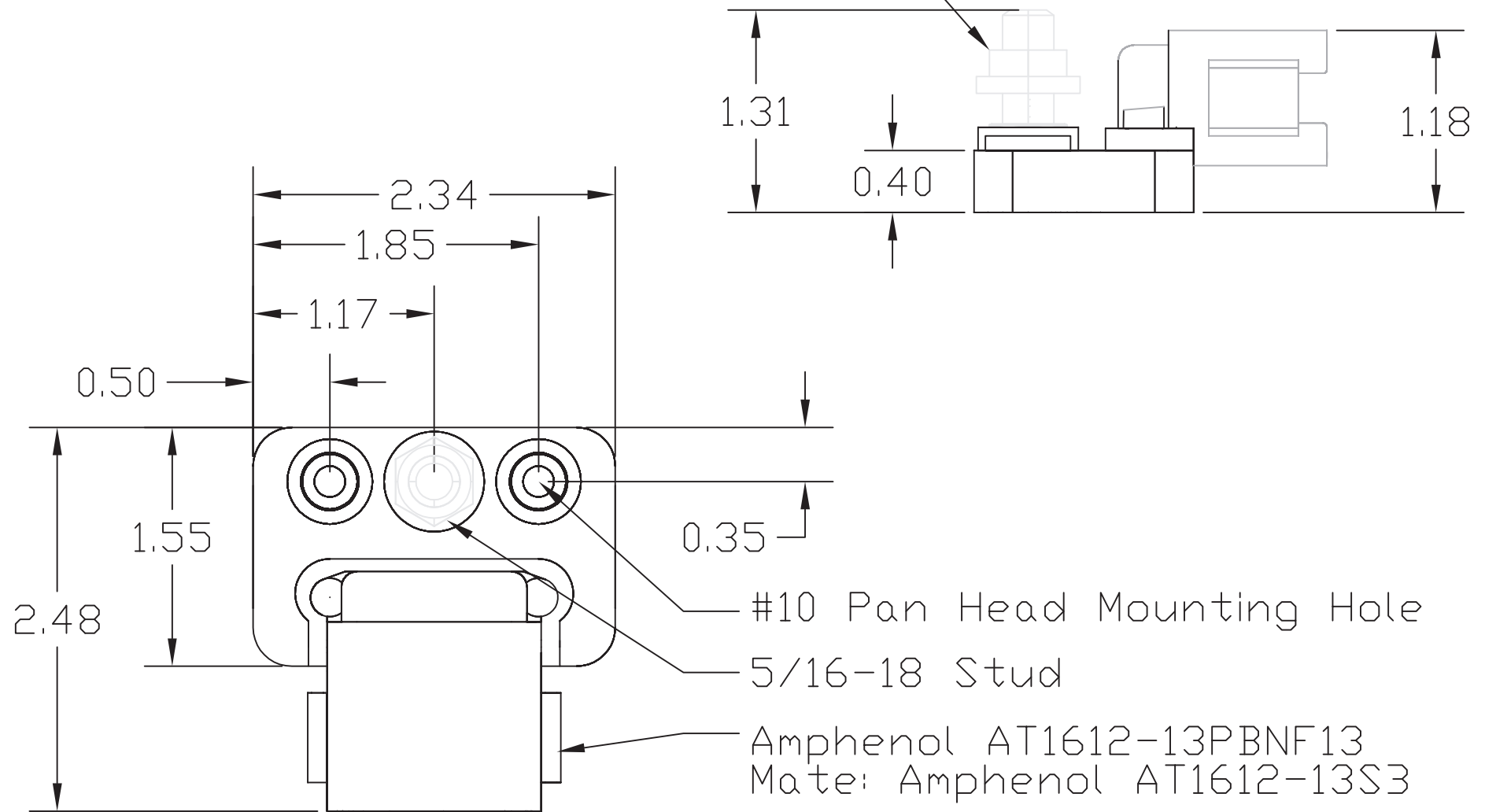


$\frac{5}{16}$ -18 SS Serated Flange Hex Nut  
Torque to 132 inlb



#10 Pan Head Mounting Hole  
5/16-18 Stud  
Amphenol AT1612-13PBNF13  
Mate: Amphenol AT1612-13S3

Rating: 200A @ 48VDC  
 Enviromental : IP67 with Connector  
 Vibration: 20G at 10-2,000Hz in each of the three mutally perpindicular planes. No loss of continuity for longer than 1ms.  
 Temperature: -55°C to 125°C at full rated current