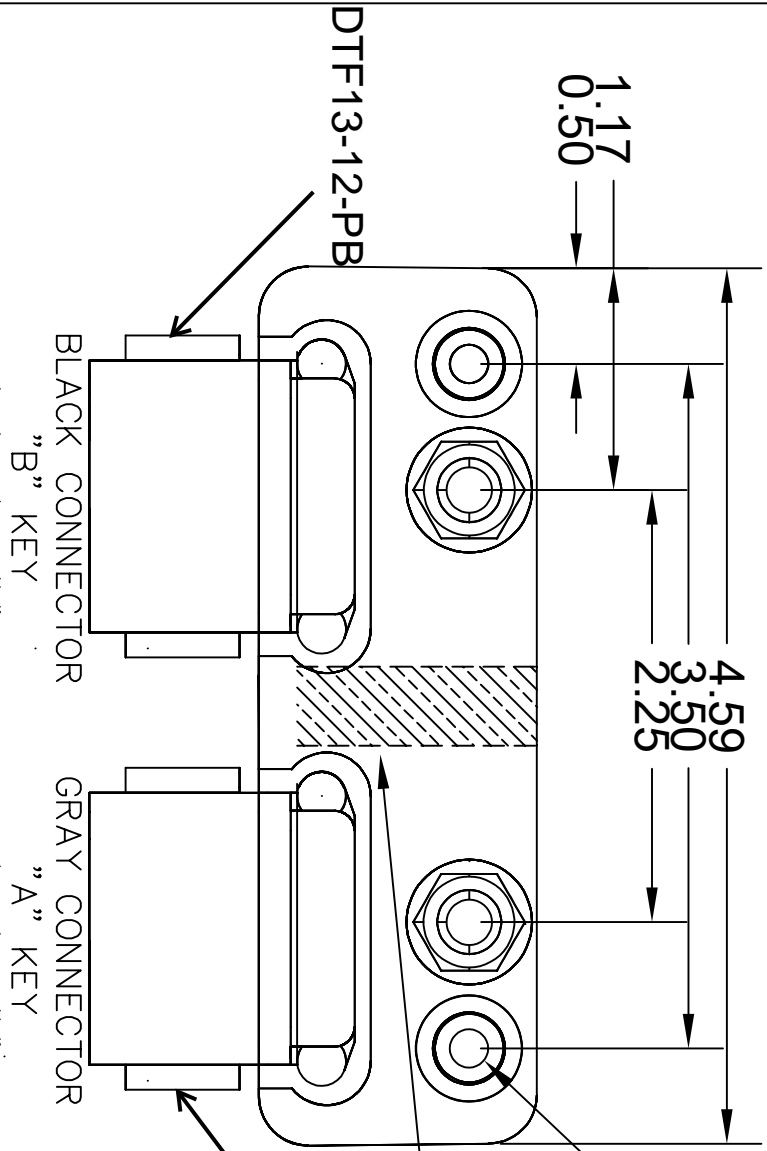
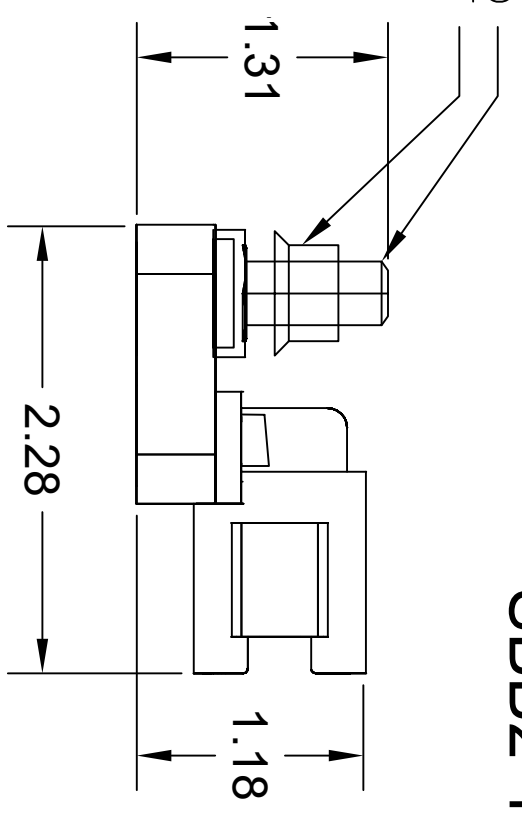


DESCRIPTION	REVISIONS	DATE
Release		12 MAR 2015

5/16-18 x 1" SS STUD
5/16-18 SERATED FLANGE NUT

SBB2-12R



MOUNTING HOLE FOR #10 PAN HEAD
INTERNALLY ISOLATED

DTF13-12PA

RATINGS: 150A @ 48V DC PER HALF, 13A PER CONTACT
STUD: 2 @ 5/16-18 STAINLESS STEEL
CONNECTOR: SEALED TO IP67
IGNITION PROTECTED: SAE J1171
DEUTSCH MATING CONNECTOR 1: DT06-12SA
DEUTSCH MATING CONNECTOR 2: DT06-12SB
AMPHENOL MATING CONNECTOR 1: AT06-12SA
AMPHENOL MATING CONNECTOR 2: AT06-12SB
MOLEX MATING CONNECTOR 1: 93445-6212
MOLEX MATING CONNECTOR 2: 93445-6221
BUS MATERIAL: C1100 ELECTROLYTIC COPPER
BASE: REPTU - INJECTION MOLDED - RED