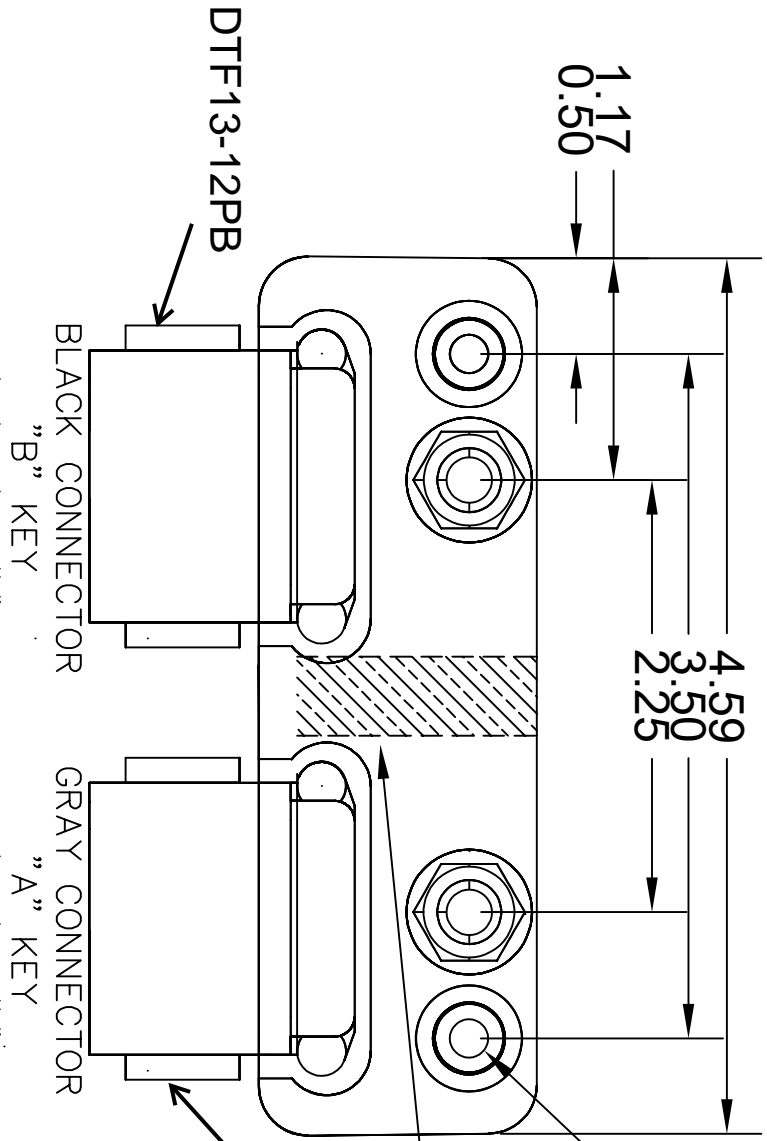
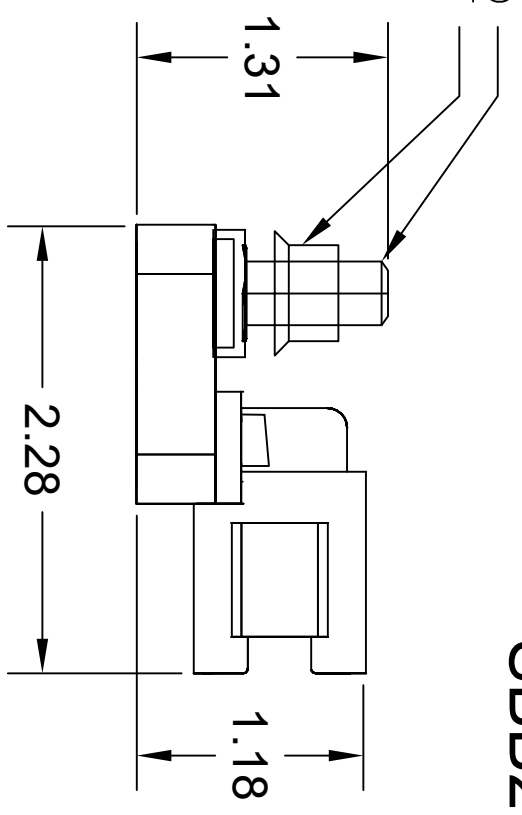


DESCRIPTION	REVISIONS	DATE
Release		12 MAR 2015

5/16-18 x 1" SS STUD
5/16-18 SERATED FLANGE NUT

SBB2-12



DTF13-12PA

MOUNTING HOLE FOR #10 PAN HEAD
INTERNALLY ISOLATED

RATINGS: 150A @ 48V DC PER HALF, 13A PER CONTACT
STUD: 2 @ 5/16-18 STAINLESS STEEL

- CONNECTOR: SEALED TO IP67
- IGNITION PROTECTED: SAE J1171
- DEUTSCH MATING CONNECTOR 1: DT06-12SA
- DEUTSCH MATING CONNECTOR 2: DT06-12SB
- AMPHENOL MATING CONNECTOR 1: AT06-12SA
- AMPHENOL MATING CONNECTOR 2: AT06-12SB
- MOLEX MATING CONNECTOR 1: 93445-6212
- MOLEX MATING CONNECTOR 2: 93445-6221
- BUS MATERIAL: C1100 ELECTROLYTIC COPPER
- BASE: REPTU - INJECTION MOLDED - BLACK



WWW.SEALEDBUSSBAR.COM
The best protection for your electrical connections

THIS DRAWING IS THE PROPERTY OF SORENSON LIGHTED CONTROLS, INC. A FLORIDA CORPORATION. ALL RIGHTS RESERVED. THIS DRAWING AND INFORMATION CONTAINED MAY NOT BE COPIED OR DISCLOSED TO OTHERS WITHOUT THE WRITTEN PERMISSION OF SORENSON LIGHTED CONTROLS, INC.